

Ethernet Switch Industriali
Industrial Ethernet Switches

NEW



5 Porte

8 Porte

16 Porte

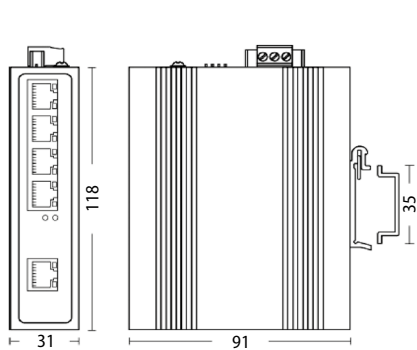


Versioni con PoE a richiesta / Versions with PoE on request

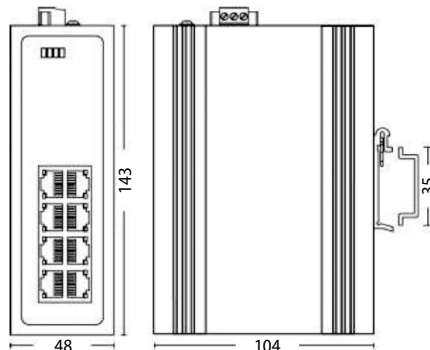
| MODELLI / Model list | | | | 1 Gigabit | | |
|---|---|-----------------|--------------------|---|---|---|
| | ESN5010 | ESN8010 | ESN16010 | ESN5100 | ESN8100 | ESN16100 |
| Codice | 3280050100 | 3280080100 | 3280160100 | 3280051000 | 3280081000 | 3280161000 |
| Tipo switch / Switch type | Unmanaged industrial switches | | | | | |
| Porte / Ports | 5*10/100 Base-T | 8*10/100 Base-T | 16*10/100 Base-T | 5*1 Gigabit Base-T | 8*1 Gigabit Base-T | 16*1 Gigabit Base-T |
| Protezione / Protection | IP40 | | | | | |
| Installazione / Setting | Installazione guida DIN / DIN rail | | | | | |
| Tipo di cavo e distanza / Cable type and distance | Twisted-Pair 0÷100m CAT | | | | | |
| Indicatori LED / LED indicators | PWR, OPT, NMC, ALM | P1/P2, OPT | Power Link/ACT-LED | PWR, Link/ACT LED | PWR, OPT, NMC, ALM | PWR, Link ACT LED |
| Connettore di alimentazione / Power connector | Morsetto, doppia alimentazione / Clamp, dual power supply | | | | | |
| Tensione d'ingresso / Input voltage | 12 ÷ 58 VDC | | | | | |
| Consumo energetico totale / Total power consumption | <5 W | <6 W | <10 W | <5 W | <6 W | <10 W |
| Topologia network / Network topology | Stella, Bus, Albero, Ibrida / Star, Bus, Tree, Hybrid | | | | | |
| Dimensioni / Dimensions (WxHxD) | 31x91x118 mm | 46x104x143 mm | 48x104x43 mm | 31x91x118 mm | 48x104x143 mm | 48x104x143 mm |
| Peso / Weight | 0,36 kg | 0,55 kg | 0,8 kg | 0,4 kg | 0,5 kg | 0,8 kg |
| Jumbo frame | 2 kB | | 3 kB | 10 kB | | |
| Funzioni supportate / Supported functions | Auto-MDX/MIDX, Flow control, Storm Control, Port-Isolation, Remote PD Reset | Auto-MDX/MIDX | Auto-MDX/MIDX | Auto-MDX/MIDX, Flow control, Storm Control, LFP or Remote PD Reset, Port-Isolation, Reset | Auto-MDX/MIDX, Flow control, WatchDog, Port Isolation | Auto-MDX/MIDX |
| Temperatura operativa / Operating temperature | -30/+75 C° | | | | | |
| Umidità relativa / Relative humidity | 5% ~ 90% | | | | | |
| Raffreddamento / Cooling | Senza ventola, raffreddamento naturale / Fanless natural cooling | | | | | |
| Conforme / Compliance | EN55032 | | | | | |
| Protezione da sovratensioni / Overvoltage protection | IEC 61000-4-5 Level X (6 kV/ 6 kV 8/20 µs) | | | IEC 61000-4-5 Level 3 (4 kV/2 kV 8/20 µs) | IEC 61000-4-5 Level X (6 kV/ 6 kV 8/20 µs) | IEC 61000-4-5 Level 3 (4 kV/2 kV 8/20 µs) |
| Protezione da sovratensioni porta Ethernet / Ethernet port overvoltage protection | IEC 61000-4-5 Level X (4 kV/ 4 kV 10/700 µs) | | | IEC 61000-4-5 Level 3 (4 kV/2 kV 10/700 µs) | IEC 61000-4-5 Level X (4 kV/ 4 kV 10/700 µs) | IEC 61000-4-5 Level 3 (4 kV/2 kV 10/700 µs) |
| ESD | IEC 61000-4-2 Level 4 8K/15K | | | | | |
| Certificazioni / Certifications | CE / RoHS / FCC | | | | | |

Dimensioni [mm] / Dimensions

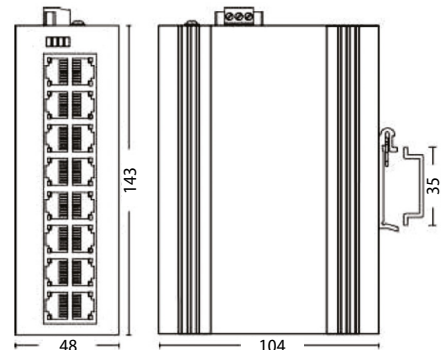
ESN5010 - 5*10/100 base-T
ESN5100 - 5*10/100/1000 base-T



ESN8010 - 8*10/100 base-T
ESN8100 - 8*10/100/1000 base-T



ESN16100 - 16*10/100 base-T
ESN16100 - 16*10/100/1000 base-T



Configurazione / Configuration



| ESN5010-DIP Switch | |
|--------------------|--------------------------------------|
| 1 LFP | Reserve |
| 2 LGY | LEGACY (Standard & Non-standard PoE) |
| 3 VLAN | Port Isolation |
| 4 BSR | Storm Control Configuration |

| ESN5100-DIP Switch | |
|--------------------|--------------------------------------|
| 1 LFP | LFP/ Remote PD Reset |
| 2 LGY | LEGACY (Standard & Non-standard PoE) |
| 3 VLAN | Port Isolation |
| 4 RST | Reset |

| ESN8100-DIP Switch | |
|--------------------|----------------|
| 1 LFP | Reserve |
| 2 LGY | Reserve |
| 3 VLAN | Port Isolation |
| 4 RST | Reset |

Cavi di connessione dati RJ45

Data Connection Cables



- Cavo Ethernet, RJ45 Maschio dritto - RJ45 maschio dritto
- Categoria 6A - Standard 10GBASE-T (velocità 10 Gbit, frequenza 500 MHz)
- 8 poli con contatti dorati
- Conduttore 100% Rame - 4x 2x AWG26
- Cavo schermato S/FTP (doppia schermatura)
- Guaina LSOH (Low Smoke zero Halogen) per uso industriale
- Diametro esterno 6,2 mm
- Altre versioni e lunghezze su richiesta
- Certificazione UL (solo su versione blu)

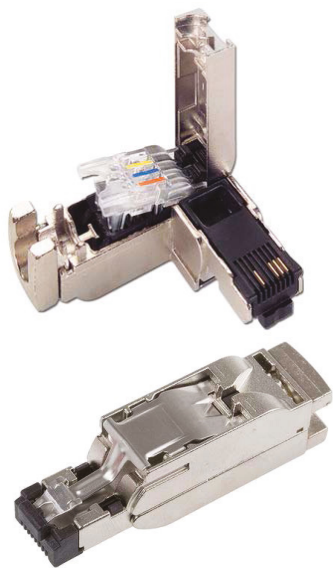
- Ethernet cable, RJ45 Male straight - RJ45 male straight
- Category 6A - Standard 10GBASE-T (10 Gbit speed, 500 MHz frequency)
- 8 poles with gold contacts
- Conductor 100% Copper - 4 x 2 x AWG26
- S / FTP shielded cable (double shielded)
- LSOH sheath (Low Smoke zero Halogen) for industrial use
- External diameter 6,2 mm
- Other versions and lengths on request
- UL certification (only blu version)



| DESCRIZIONE Description | Lunghezza Length | Codice Code | Colore Color |
|---|---------------------|----------------|-----------------|
| Cavo ethernet RJ45/RJ45 8 pin Cat.6A Schermatura S/FTP | 0,5 m | 3290700700 | Blu / Blue |
| | 1 m | 3290700701 | |
| | 2 m | 3290700702 | |
| Ethernet cable RJ45/RJ45 8 pin Cat.6A S/FTP shielding | 0,3 m | 3290700803 | Verde / Green |
| | 0,5 m | 3290700805 | |
| | 1,0 m | 3290700810 | |
| | 2,0 m | 3290700820 | |
| | 3,0 m | 3290700830 | |
| | 5,0 m | 3290700850 | |

Connettori RJ45 a cablare in metallo

Metal wireable RJ45 connectors



- Connettore RJ45 femmina a cablare in metallo
- Disponibile nella versione a 180° (diritta) o a 90° (angolare)
- Cablaggio a perforazione d'isolante IDC
- Montaggio senza utensili per applicazioni industriali
- Categoria 5e - Standard 10/100 Base-T (velocità 100 Mbits)
- Poli con contatti dorati
- Sezione conduttori AWG24 - AWG22
- Corpo metallico per schermatura EMC
- Diametro cavo massimo 7 mm
- Temperatura -20°C/+70°C

- *Field wireable connectors RJ45 female with metal case*
- *Available in 180°(straight) or 90°(angled) version*
- *Insulation Displacement connectors (IDC)*
- *Tool-free assembly for industrial applications*
- *Category 5e - Standard 10/100 Base-T (100 Mbits speed)*
- *Poles with gold contacts*
- *Conductors section AWG24 - AWG22*
- *Metal body for EMC shielding*
- *Maximum cable diameter 7mm*
- *Temperature -20°C/+70°C*



| Codice Code | Tipo Type | Pin | Dimensioni L x P x A mm |
|----------------|---|-----|-------------------------|
| 410000001 | 180° (dritto) / <i>straight version</i> | 4 | 56x13,7x15,9 mm |
| 410000002 | 90° (angolare) / <i>angled version</i> | 4 | 43,5x40,1x16,2 mm |
| 410000003 | 180° (dritto) / <i>straight version</i> | 8 | 56x13,7x15,9 mm |